

# PENTAX®

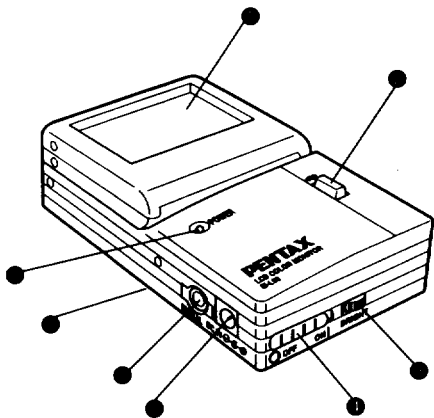
LCD COLOR MONITOR

# EL-L90

OPERATING MANUAL -----	(P. 1-11)
BEDIENUNGSANLEITUNG -----	(S.12-23)
MODE D'EMPLOI -----	(P.24-35)
MANUAL DE INSTRUCCIONES -----	(P.36-47)
使用手冊 -----	(P.48-59)
使用説明書 -----	(60-73頁)

## NAME OF WORKING PARTS

To ensure proper operation of the LCD monitor, be sure to read these instructions before using it.



- LCD Panel
- Monitor Unlock Button
- Brightness Control Dial
- Power Switch
- DC Input Terminal
- Digital Interface Terminal
- Battery Chamber Cover
- LED Power Indicator

## Safe Operation of the LCD Monitor

Much effort has been devoted to ensuring safe operation of the LCD Monitor, but particular attention should be paid to the following display symbols.

### **WARNING**

Failure to observe this symbol could result in serious injury to the user.

- Never touch any internal substance exposed if the LCD monitor is dropped and broken etc. Consult a physician immediately if you get any such substance in your eyes or mouth.
- The electric circuits inside the LCD monitor contain high voltage working parts. Do not attempt to disassemble the LCD monitor yourself.

**⚠ CAUTION**

Failure to observe this symbol could result in minor injury to the user or could damage equipment.

- Never short the battery or put it in a fire. Also, never try to charge the battery or take it apart. Doing so could cause the battery to rupture or burn up.
- Never install the battery backwards (never reverse the + and - terminals). Doing so could cause the battery to leak, overheat, or rupture.
- Avoid touching the tabs and pins on the LCD monitor where it connects to the camera. (It is easier to hurt yourself on these parts than you would think.)
- If the batteries installed in the monitor overheat or start smoking, remove from the monitor immediately, being careful not to burn yourself.

## Precautions for Use and Handling

- Never use organic solvents such as paint thinner, alcohol or benzene to clean the monitor.
- Never leave the monitor in a location high-heat or humidity location. (In particular, remember that the inside of a parked car can get very hot.)
- The LCD monitor is not resistant to water. It should never be used unprotected in the rain.
- Never subject the monitor to strong vibration, shock or pressure. Use cushioning to protect the monitor when transporting it by motorcycle, car, boat, etc.
- The display may turn black if the temperature rises above approximately 60°C [140° F], but will return to normal when the temperature returns to normal.
- Low temperature may slow the response of the of display. This is a normal property of liquid crystals. It does not mean that there is problem with the display.
- The normal operating temperature range of the camera is 0 - 40°C [32 - 104° F].
- All debris, dirt, sand, dust, water, noxious gases, salts, etc. must be kept out of the monitor. Failure to do so can result in serious damage to the unit. Immediately remove any rain, condensation, etc. from the monitor by wiping it completely dry.

- The monitor may be hard to view under sunlight or in brightly lighted areas.

This Class B digital apparatus meets all requirements of the Canadian Interference-Causing Equipment Regulations.



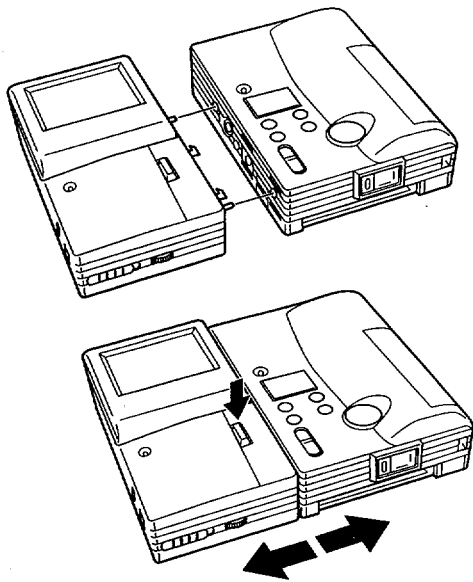
The CE marking assures that this product complies with the requirements of the CE directive for safety.

#### STATEMENT OF FCC COMPLIANCE

This device complies with Part 15 of the FCC rules. Operation is subject to the following two conditions: (1) This device may not cause harmful interference, and (2) this device must accept any interference, and (2) this device must accept any interference that may cause undesired operation. Changes or modifications not approved by the party responsible for compliance could void the user's authority to operate the equipment.

This equipment has been tested and found to comply with the limits for a Class B digital device, pursuant to part 15 of the FCC Rules. These limits are designed to provide reasonable protection against harmful interference in a residential installation. This equipment generates, uses and can radiate frequency energy and if not installed and used in accordance with the instructions, may cause harmful interference to radio communications, there is no guarantee that interference will not occur in a particular installation. If this equipment does cause harmful interference to radio or television reception, which can be determined by turning the equipment off and on the user is encourage to try to correct the interference by one or more of the following measures:

- Reorient or relocate the receiving antenna.
- Increase the separation between the equipment and receiver.
- Consult the dealer or an experienced radio/TV technician for help.



### **Installation to the Camera**

Install the monitor to the camera as shown in the drawing.

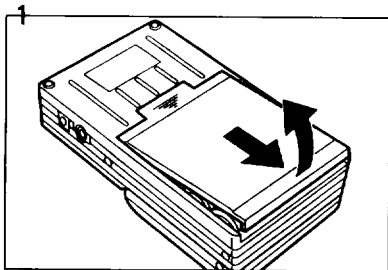
- Remove the protector from the LCD monitor by depressing the monitor unlock button.

### **Removal from the Camera**

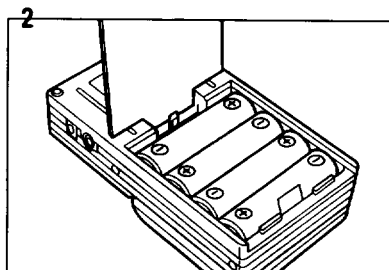
Always turn off power on both the camera and LCD monitor before removing the monitor from the camera.

Press the **MONITOR UNLOCK** button.

## Battery Installation

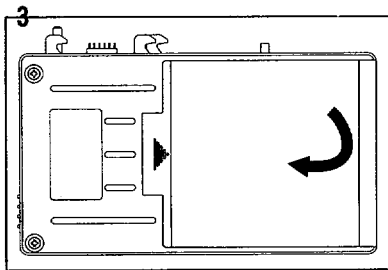


1. Open the battery chamber cover as shown in the illustration.

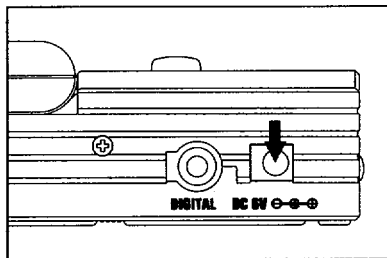


2. Install four batteries as shown in the illustration.

## AC Adapter Connection

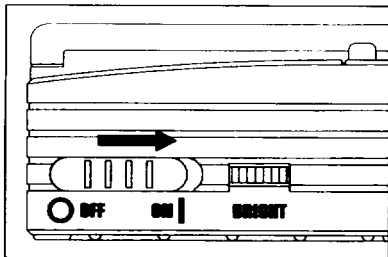


3. Close the battery chamber cover.



To supply power to the monitor from an AC power outlet, connect the AC adapter to the DC input terminal of the monitor.

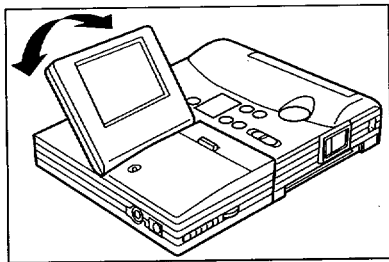
## Turning Power ON



Slide the power switch to the [ ON ] position.

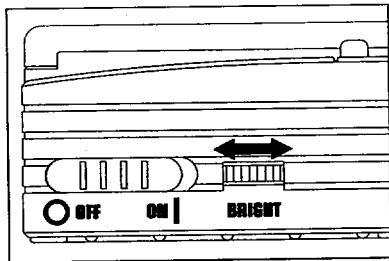
To turn off power with the LCD monitor installed, turn off the LCD monitor first; then the camera.

## Adjusting the Angle



Adjust the angle of the LCD screen as desired to provide the best viewing.

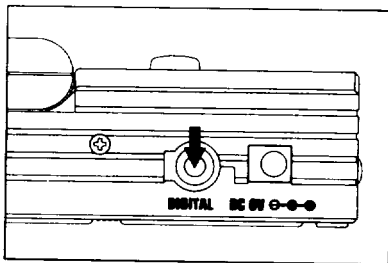
## Adjusting Brightness



Adjust the display brightness by rotating the brightness control dial left and right.

- The display gets brighter when you rotate the dial to the left, and darker when you rotate it to the right.

## To Transfer Data to a Computer



Connect the RS232C cable from the computer to the digital interface terminal.

## Specifications

**Type:** LCD color monitor adapter for EI-C90 digital still camera.

**Monitor System:** NTSC video-compatible LCD color monitor.

### Display Section

**Type:** 2-inch, low-temperature polysilicon, active matrix display

**Number of dots:** 521 x 218 (113578 pixels)

**Effective display area dimensions:** 40.7 x 30.5 mm

**Digital interface terminals:** 3.5 mm diameter, 6-pin minijack.

**Power Supply:** Internal battery or external power source

Voltage: 6 volts

Batteries used: 4 alkaline AA Batteries

External power: uses special AC adapter

**Dimensions:** 107 mm wide, 61 mm long, 32 mm thick, 4.2" (W) x 2.4" (L) x 1.3" (T)

**Weight:** 145 grams (5.1 oz.)

**SPECIFICATIONS ARE SUBJECT TO CHANGE AT ANY TIME WITHOUT NOTIFICATION OR ANY OBLIGATION ON THE PART OF THE MANUFACTURER.**